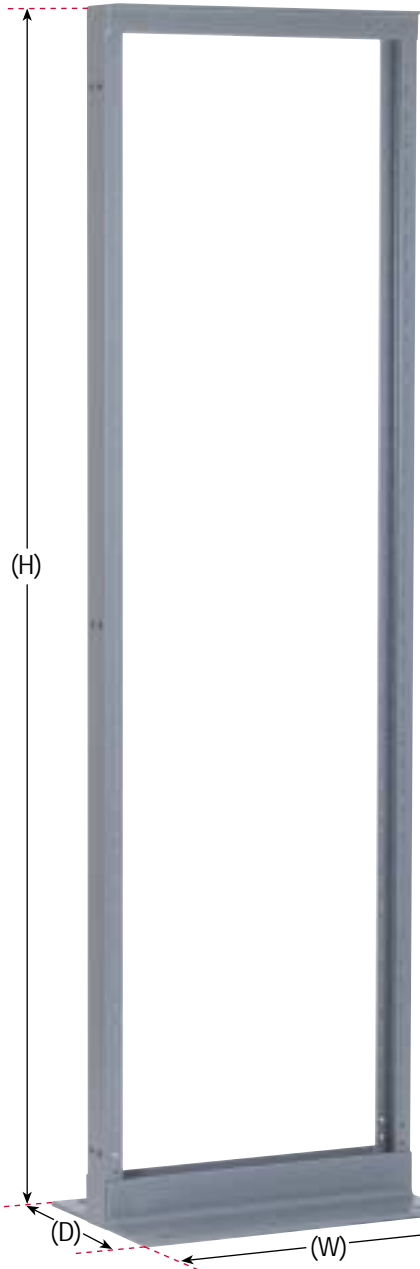


## RACKLINE ACCESSORIES



### RELAY RACKS

Steel, welded, double-sided drilled, floor supported, 1.75" spacing

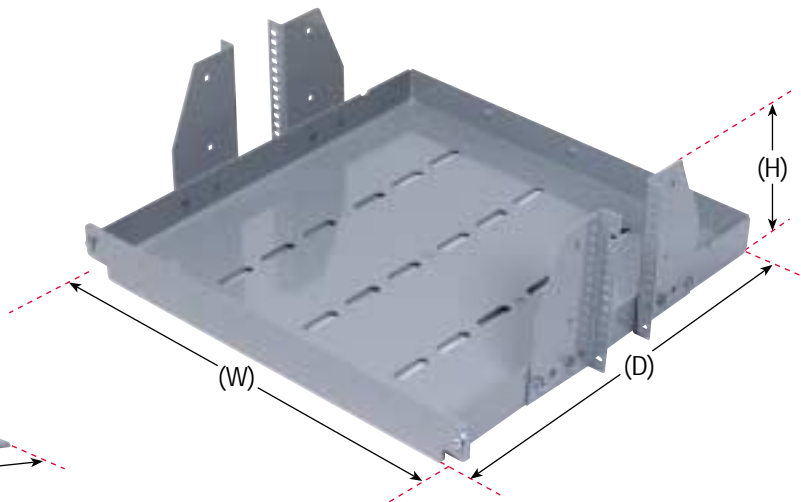
BATTERY	RELAY RACK	MAX. SHELVES PER RACK	MAX. UNITS PER RACK	BUS BAR TYPE
DGS12-25F	19", 7ft.	8	32	Top-Mount
DGS12-50F	19", 7ft.	6	24	Top-Mount
DGS12-100F	23", 7ft.	7	28	Top-Mount
DGS12-150F	23", 7ft.	5	20	Top-Mount
DGS12-150F	23", 7.5ft.	6	24	Side-Mount

#### 19" Relay Rack for DGS12-25F & DGS12-50F

ITEM NUMBER	DIMENSIONS						WEIGHT	
	WIDTH		DEPTH		HEIGHT			
	in.	mm	in.	mm	in.	mm	in.	mm
80050	20.31	516	15.0	381	84.0	2133.6	102.0	46.3

#### 23" Relay Racks for DGS12-100F & DGS12-150F

ITEM NUMBER	DIMENSIONS						WEIGHT	
	WIDTH		DEPTH		HEIGHT			
	in.	mm	in.	mm	in.	mm	lb.	kg
80001	24.31	618	15.0	381	90.0	2286	115.0	52.2
80002	24.31	618	15.0	381	84.0	2133.6	111.0	50.3



### SHELVES

Max. 4 units per shelf (includes retainer bar, mounting brackets, and hardware)

#### 19" Shelf for DGS12-25F & DGS12-50F

ITEM NUMBER	DIMENSIONS						WEIGHT	
	WIDTH		DEPTH		HEIGHT			
	in.	mm	in.	mm	in.	mm	in.	mm
80077	18.31	465	10.8	274.3	2.0	50.8	20.0	9.1

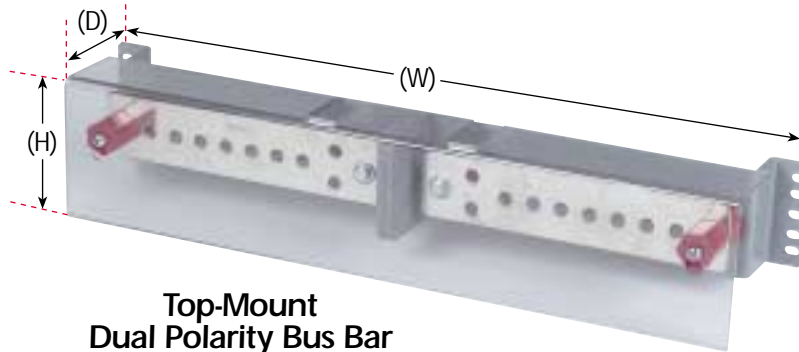
#### 23" Shelf for DGS12-100F & DGS12-150F

ITEM NUMBER	DIMENSIONS						WEIGHT	
	WIDTH		DEPTH		HEIGHT			
	in.	mm	in.	mm	in.	mm	in.	mm
80005	22.31	566.7	22.0	558.11	2.0	50.8	30.0	13.6

(Width measurements based on center line of mounting holes.)



## RACKLINE ACCESSORIES

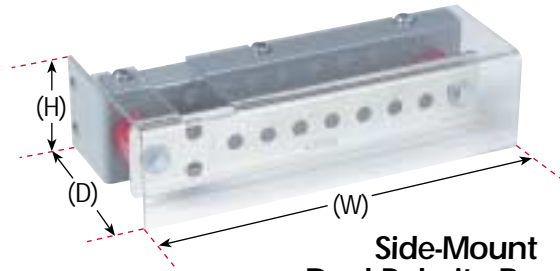


### Top-Mount Dual Polarity Bus Bar

(Width measurements based on center line of mounting holes.)

### Bus Bars

3/8" mounting holes for battery strings and 1 pair of 3/8" holes for 2-hole lugs (1" spacing) per bus bar (supplied with clear safety shield and mounting hardware)



### Side-Mount Dual Polarity Bus Bar

(Depth measurements based on center line of mounting holes.)

#### Top-Mount Dual Polarity Bus Bar

ITEM NUMBER	MOUNTING HOLES	DIMENSIONS						WEIGHT	
		WIDTH		DEPTH		HEIGHT		lb.	kg
		in.	mm	in.	mm	in.	mm		
80534	7	22.31	566.7	4.5	114.3	3.0	76.2	5.0	2.3
80588	4	18.31	465	4.5	114.3	3.0	76.2	4.5	2.0

#### Side-Mount Single Polarity Bus Bar

ITEM NUMBER	MOUNTING HOLES	DIMENSIONS						WEIGHT	
		WIDTH		DEPTH		HEIGHT		lb.	kg
		in.	mm	in.	mm	in.	mm		
80536	7	4.43	112.5	9.7	246.48	2.5	63.5	3.0	1.4

### Cable Brackets

supplied with 12-24 x 1/2" PHMS

ITEM NUMBER	WIDTH	
	in.	mm
80516	5.0	127

### Cable Kits

supplied with

- (2) 2AWG, RHH/RHW, cables,
- (2) single-hole lugs,
- (1) 4" long piece of heat shrink tubing,
- (2) 3/8" lock washers, (2) 3/8" hex nuts, and
- (2) 3/8" plain washers

ITEM NUMBER	LENGTH	
	in.	mm
80542	36.0	914
80543	48.0	1219
80544	60.0	1524
80545	72.0	1829
80538	84.0	2134

ISO 9001  
QS-9000



**DOUGLAS BATTERY**  
Connect with a leader.