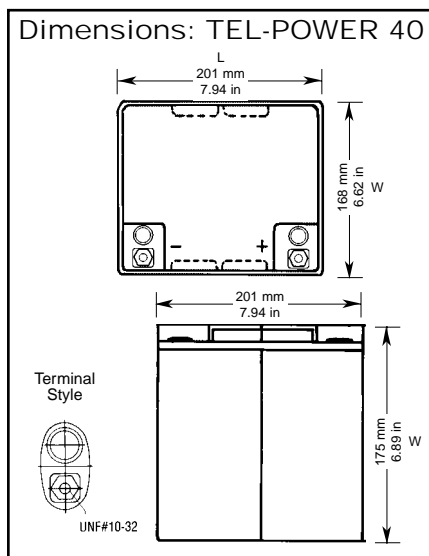
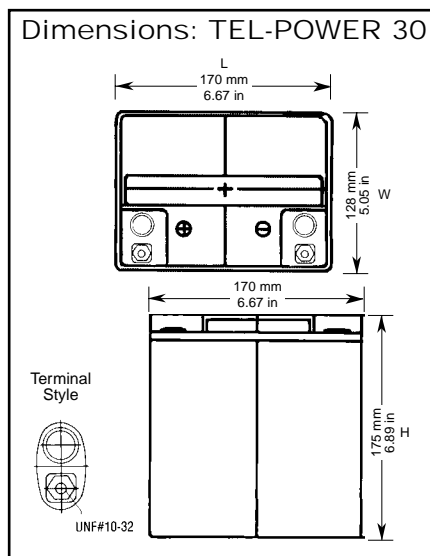


**Independence™****VALVE REGULATED LEAD-ACID****B A T T E R I E S**
**EnerSys™**  
 Power/Full Solutions™
**TEL-POWER 30****12V, 28AH****TEL-POWER 40****12V, 40AH**
**TELECOMMUNICATIONS  
 CABLE  
 OUTSIDE PLANT  
 TRANSMISSION EQUIP.**


|              | Ah* | Length |      | Width |      | Height |      | Weight |     |
|--------------|-----|--------|------|-------|------|--------|------|--------|-----|
|              |     | mm     | in   | mm    | in   | mm     | in   | kg     | lbs |
| TEL-POWER 30 | 28  | 170    | 6.67 | 128   | 5.05 | 175    | 6.89 | 9.3    | 21  |
| TEL-POWER 40 | 40  | 201    | 7.94 | 168   | 6.62 | 175    | 6.89 | 13.6   | 30  |

\* 20 hour rate

**Description**

The TEL-POWER series of batteries were designed for the harsh conditions associated with Outside Plant equipment. Extreme conditions of outside plant applications reduce the life of batteries. To combat these problems, the TEL-POWER is assembled in a polypropylene UL94-V0 case in accordance with Bellcore specifications. The polypropylene reduces the rate of water loss, an end of life condition typically associated with other case materials. Additionally, the TEL-POWER battery can be encased by a steel sleeve allowing the battery to be used in these harsh conditions. The TEL-POWER battery was designed to be an exact fit replacement, complete with the wiring harness, for OEM products.


 RECOGNIZED BY UL, File No. MH 16464
**Specifications****NOMINAL VOLTAGE:** 12V**NOMINAL CAPACITY:**

TEL-POWER 30-8 hr. rate of 3.2A to 10.50V 25.6 Ah

TEL-POWER 40-8 hr. rate of 4.8A to 10.50V 38.4 Ah

**INTERNAL RESISTANCE OF CHARGED BATTERY**

TEL-POWER 30 10 milliohms (approx.)

TEL-POWER 40 8 milliohms (approx.)

**MAXIMUM DISCHARGE CURRENT WITH STANDARD TERMINAL (w/out cable)**

TEL-POWER 30 360 amps

TEL-POWER 40 600 amps

**MAXIMUM SHORT-DURATION DISCHARGE CURRENT (w/out cable)**

TEL-POWER 30 780 amps.

TEL-POWER 40 1200 amps.

**OPERATING TEMPERATURE RANGE:****CHARGE** 5°F to 176°F

(-15°C to 80°C)

**DISCHARGE** -4°F to 176°F

(-20°C to 80°C)

**CHARGE RETENTION (shelf life) at 68°F (20°C):****1 month** 97%**3 months** 91%**6 months** 85%**LIFE EXPECTANCY:****STANDBY USE** 3 to 5 years**CYCLE USE @ 20°C: (approx.)****100% depth of discharge** 180 cycles**50% depth of discharge** 400 cycles**30% depth of discharge** 1200 cycles**SEALED CONSTRUCTION:**

Can be operated in any position without leakage.

**STANDARD TERMINAL:**

Receptacle terminal with bolt, 2-conductor cable assembly attached

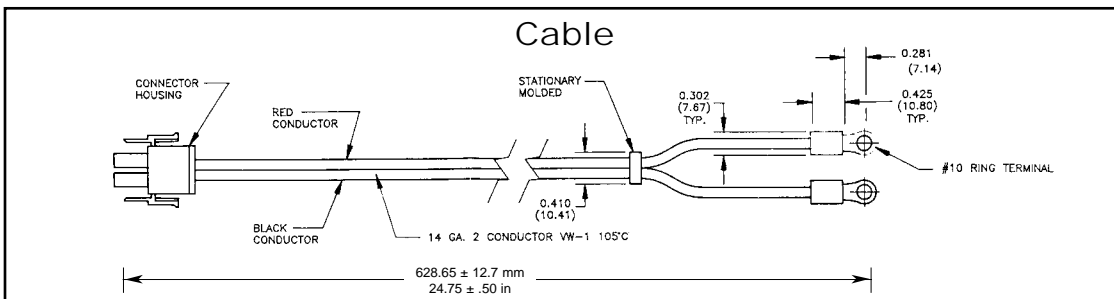
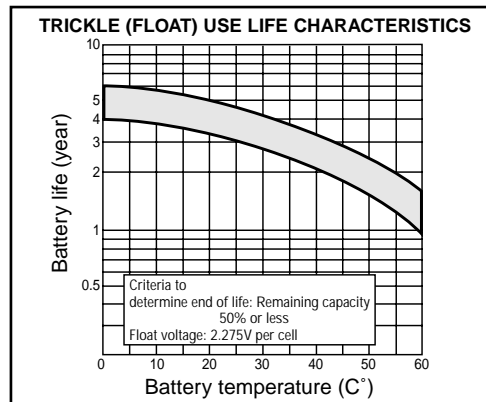
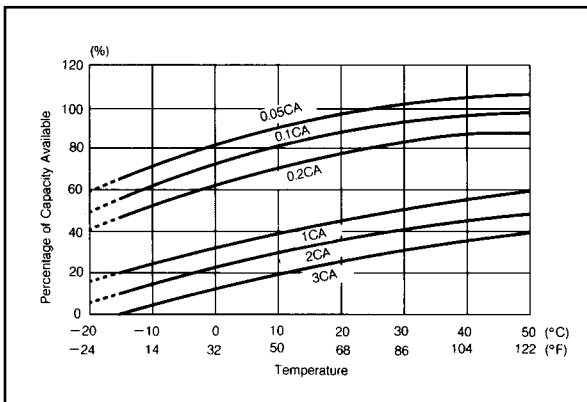
**HOUSING MATERIAL:**

Container made from Flame Retardant Polypropylene (UL94-V0, L.O.I. 28%) surrounded by an optional steel sleeve.

**WARRANTY:** TEL-POWER Series has a 1 year warranty from date of manufacture when operated in the recommended temperature range.

# Ampere Tables for TEL-POWER 30 and TEL-POWER 40

| End VPC             | Time (Hours) |     |     |     |      |      |      |
|---------------------|--------------|-----|-----|-----|------|------|------|
|                     | 10           | 8   | 5   | 4   | 3    | 2    | 1    |
| <b>TEL-POWER 30</b> |              |     |     |     |      |      |      |
| 1.94                | 1.8          | 2.3 | 3.4 | 4.2 | 5.4  | 8.0  | 13.0 |
| 1.90                | 2.0          | 2.6 | 4.0 | 5.0 | 6.5  | 9.0  | 16.0 |
| 1.86                | 2.4          | 2.9 | 4.3 | 5.2 | 6.8  | 9.5  | 16.5 |
| 1.84                | 2.4          | 3.0 | 4.6 | 5.6 | 7.0  | 10.0 | 17.0 |
| 1.81                | 2.4          | 3.0 | 4.6 | 5.6 | 7.0  | 10.0 | 17.0 |
| 1.75                | 2.6          | 3.2 | 4.8 | 5.8 | 7.3  | 10.0 | 19.0 |
| <b>TEL-POWER 40</b> |              |     |     |     |      |      |      |
| 1.94                | 2.8          | 3.4 | 5.0 | 6.0 | 7.5  | 11.0 | 20.0 |
| 1.90                | 3.4          | 4.2 | 6.0 | 7.5 | 8.5  | 12.0 | 21.0 |
| 1.86                | 3.5          | 4.4 | 6.3 | 8.0 | 10.0 | 14.8 | 25.0 |
| 1.84                | 3.8          | 4.6 | 6.5 | 8.5 | 11.0 | 15.0 | 25.0 |
| 1.81                | 3.8          | 4.8 | 7.0 | 8.5 | 11.0 | 15.0 | 25.0 |
| 1.75                | 4.0          | 4.8 | 7.2 | 8.5 | 11.0 | 15.0 | 27.0 |



**CHARGING METHODS (AT 20°C)** Cycle use: Maximum charging current 0.25C  
 Charging voltage 14.4 to 15.0V  
 Standby use: Float charging voltage 13.50 to 13.80V

- CAUTION**
- Avoid short circuit
  - Do not charge in a sealed container

Information subject to change without notice.

Represented by:

When ordering new batteries, also remember to properly recycle your old lead batteries. Federal and state regulations require lead-acid batteries be recycled. EnerSys' nationwide service organization can arrange pickup, transportation to and recycling at any one of our company affiliated smelters. Call 1-800-972-7372 for more information.



**Sales Offices**

- Eastern Region: 201-964-0118 • 1-800-962-1287  
FAX 201-964-0720
  - Western Region: 562-949-4266 • 1-800-423-4667  
FAX 562-949-5527
  - Corporate Office: P.O. Box 14145, Reading, PA 19612-4145  
FAX 610-372-8613
- Visit us on the web at: [www.enersysstationary.com](http://www.enersysstationary.com)



Please check our website for literature updates